

## DIRECTIONS FOR MOUNTING & WIRING

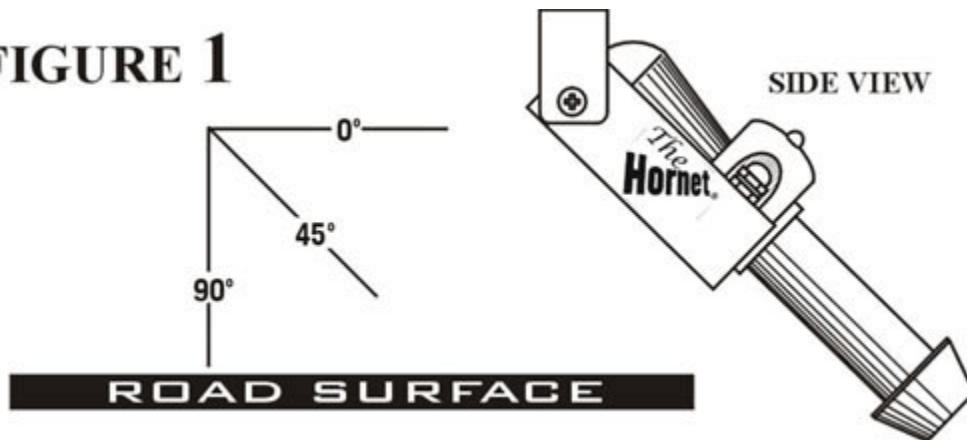
*Model V-120 and Model V-120C*

It is important to install The Hornet in a location where it has an unobstructed view of the road surface in a forward direction at a 45° angle to the road surface with a height of 8 inches to a maximum of 3 feet from the road to achieve maximum effectiveness. The Hornet may be installed on either side of the automobile or truck.

Due to the various configurations of automobile and truck designs, The Hornet may have to be mounted in various locations. It may be necessary to utilize the enclosed swivel extension brackets or modify them as needed.

The Hornet employs Sonic Systems Wave Variance Tuning. The Hornet Electronic Deer Avoidance System, used with driver awareness, will reduce your risk of hazardous animal/vehicle collision by more than 70%.

**FIGURE 1**



**Important:** The Hornet must have an unobstructed view of the road surface and be mounted in a forward direction at a 45° angle to the road surface, within a height of 6 inches to 3 feet to achieve maximum effectiveness.

**Note:** If the Hornet is wired with reversed polarity it will not operate.

**FIGURE 2**



**A.** The Hornet

**B.** 4' Pigtail wire with weather tight connector

**C.** Standard automotive wiring harness

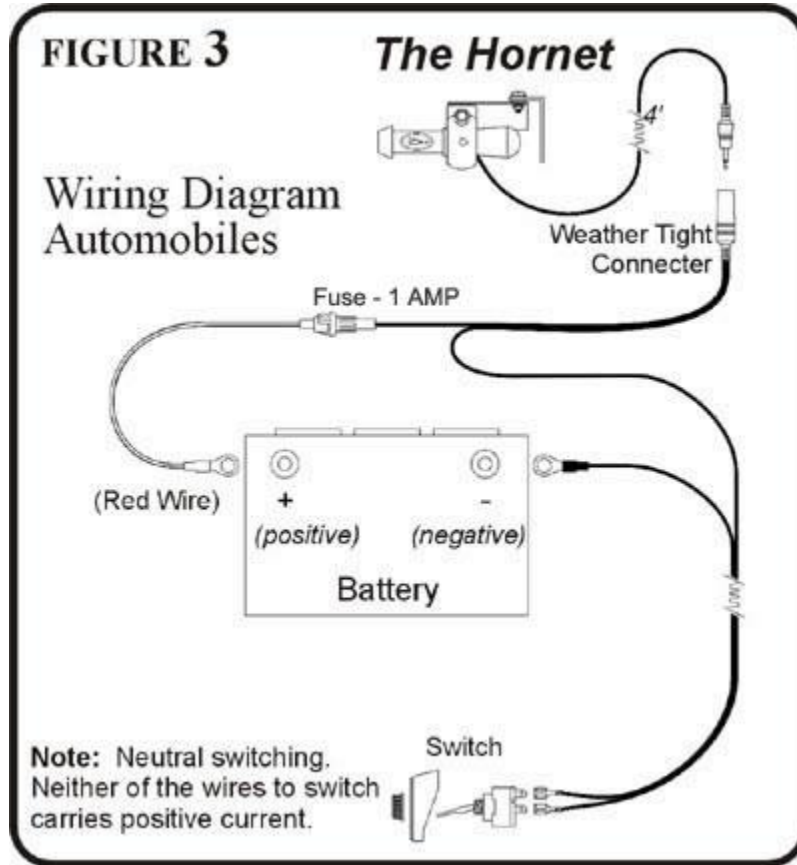
**D.** Standard automotive dash control switch

**E.** 2.5" Swivel extension bracket

**F.** 6" Swivel extension bracket

**G.** *Optional motorcycle wiring harness*

## AUTOMOBILE MOUNTING DIRECTIONS



1. Find a location behind the grill or on the chassis where the Hornet can be mounted in a forward direction at a 45° angle to the road surface. You may use the EZ-Mount bracket for an easy method of mounting the hornet, please see our website for more info.
2. Locate an existing hole or drill a hole to accommodate a hole in the mounting bracket. Using the screws, lock washers and nuts provided or a self-tapping metal screw, mount the V-120 at a 45° angle to the road surface. The mounting bracket can be easily adjusted to achieve a 45° angle (see figure 1).

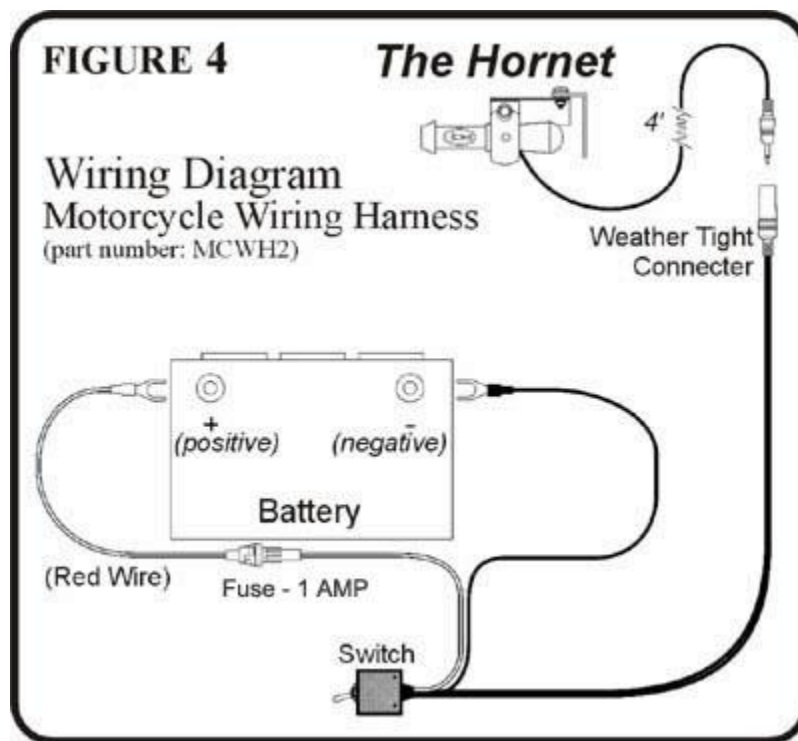
**IMPORTANT:** The Hornet will not function properly if mounted parallel to road surface.

3. Mount the dash control switch in a convenient location.
4. Connect the wiring harness to the control switch. Wires may be plugged onto either tab on the switch (see figure 3). Note: The V-Series Hornet uses neutral switching. Both of the wires going to the toggle switch are neutral (no danger of short circuit).
5. Route wiring harness from switch through the door jamb. Wiring harness should be routed over rubber weather stripping making sure it is clear of door and hood hinges. Running the wiring harness over the door weather stripping will not affect it's performance. The rubber weather stripping acts as a cushion and in fact the wiring

harness has been designed for this purpose. The wiring harness should then be passed through seam between the fender and hood.

6. Plug the wiring harness into The Hornet by means of the weather-tight connector (see figure 3).
7. Connect the red (positive) lead to the positive terminal on the battery (see figure 3).
8. Connect the black (negative) lead to the battery or any grounded part of the automobile (see figure 3).
9. For optional wiring directions see figure 5.
10. Using wire ties, make sure the entire wiring harness and 4' pigtail wire are secured clear of moving objects.

### MOTORCYCLE MOUNTING DIRECTIONS



1. Mount The Hornet in a forward direction at a 45° angle to the road surface (see figure 1). This may be done with the enclosed bracket and extensions or by using an optional P-Clamp (see accessories). We have found the most convenient method of mounting is using a P-Clamp or similar type clamp to suit your needs. This may be mounted on the right or left side of the frame rail or on the engine guard, etc.
2. Install the On/Off Switch using the double face mounting tape attached to the switch housing. The switch may be located in any convenient location such as the underside of the gas tank, frame component, coil cover, etc., depending on your model of motorcycle and preference.
3. Plug the wiring harness into The Hornet by means of the weather-tight connector and route the wire along frame rail using wire ties. (see figure 4)

4. Connect the red positive lead to the positive terminal on the battery. (see figure 4)
5. Connect the black negative lead to the battery or any grounded part of the motorcycle frame. (see figure 4)
6. For optional wiring directions. (see figure 5)

